

Course ISE 327, EEE 051: Introduction to Computer Networks
 Recitation 6

Michael J. May

March 30, 2011

1 Virtual Circuit Routing

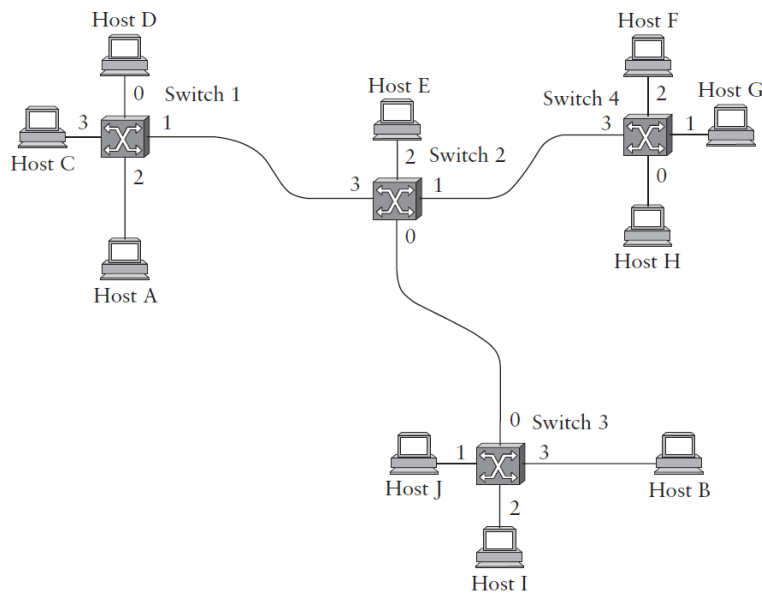
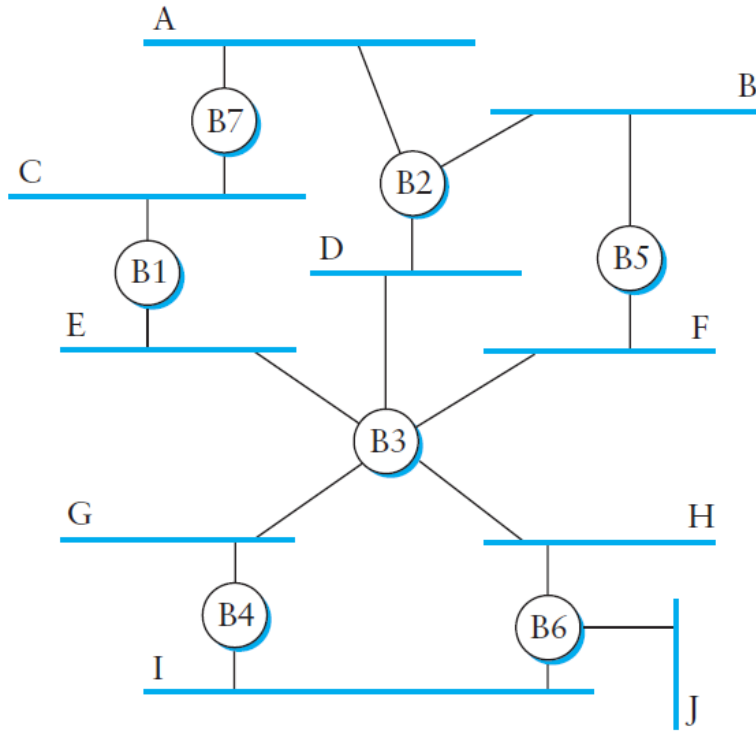


Figure 1: Example Network

Using the example network given in Figure 1, give the virtual circuit tables for all the switches after each of the following connections is established. Assume that the sequence of connections is cumulative; that is, the first connection is still up when the second connection is established, and so on. Also assume that the VCI assignment always picks the lowest unused VCI on each link, starting with 0.

- Host D connects to host H.
- Host B connects to host G.
- Host F connects to host A.
- Host H connects to host C.
- Host I connects to host E.
- Host H connects to host J.



2 Spanning Tree

Given the extended LAN shown in Figure 2, assume that bridge B1 suffers catastrophic failure. Indicate which ports are not selected by the spanning tree algorithm after the recovery process and a new tree has been formed.